



# The Sauerland Door Concept



Solutions for the better door!

## The Sauerland Door Concept

We offer more than just an infill for doors.  
We offer a concept:  
The Sauerland Door Concept.

By using our boards you will cover all needs  
of doors in terms of quality and performance:

- 1. Low Weight**
- 2. Impact Resistance**
- 3. Economical Benefit**
- 4. No Bending**
- 5. No Telegraphing**
- 6. Sound Insulation**
- 7. Fire Resistance**

We are passionate about good doors.  
Sauerland is Germany's No. 1 in door solutions.



# Doors with ideal weight

## 1. Low Weight



**Ordinary Particle Board** is heavy. This affects handling during installation. Moreover, bigger hinges are necessary to keep the door in the right position. This leads to higher costs.



**Sauerland Tubular Board** guarantees just the right weight.

**Sauerland Tubular Board** is genius as compared to Ordinary Particle Board only half the raw material quantity is consumed. The ecological effect is obvious.



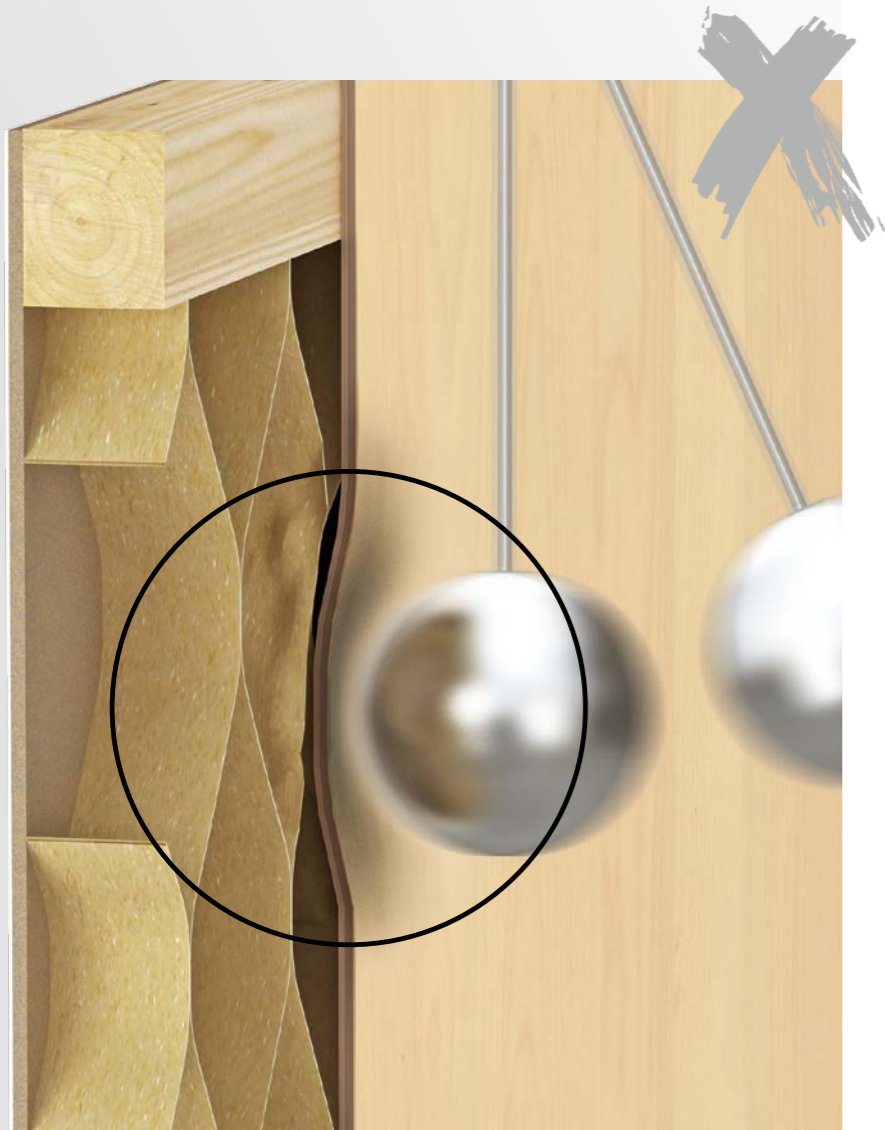
**Sauerland  
Guarantee** ✓  
**About 50%  
weight reduction**



# Doors resisting daily stress

## 2. Impact Resistance

**Honeycomb** does not resist mechanical stress. Common experience shows that doors are under continuous workload and can easily be damaged.



Every day's moving and handling poses a constant challenge for the door's quality.

**Sauerland Tubular Board** guarantees their integrity for decades.



**Sauerland  
Guarantee**  
**No damage  
under workload**

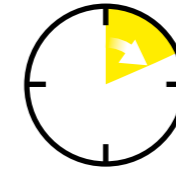


Solutions for the better door!

# Door production with high efficiency

## 3. Economical Benefit

Reduction in costs is a big issue for every door producer. Infills consisting of many parts such as **Wooden Strips** and bits are time-consuming in assembling and expensive.



**Sauerland Tubular Board** means one piece of core for one door. Once the frame is set you place the core – ready. Reduction of labour costs can be so easy.



**Sauerland  
Guarantee** ✓  
**Low operating costs**

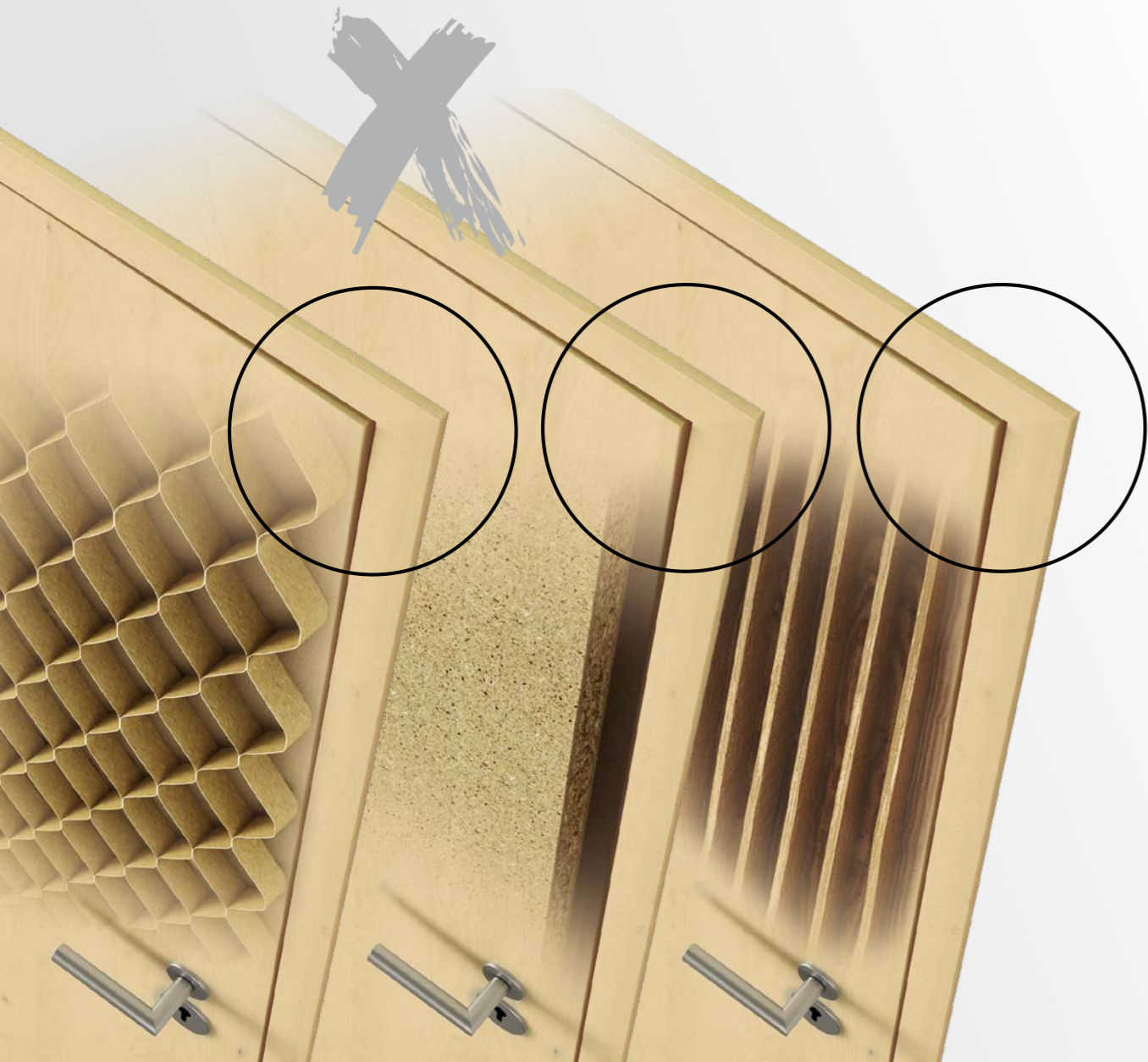


Solutions for the better door!

# Doors that close properly

## 4. No Bending

**Honeycomb Infill, Ordinary Particle Board and Wooden Strips** cause bending which however leads to a number of defects in the door's daily use: Closing is impeded, noise passes through, heat insulation is decreased and an aesthetical defect is visible.

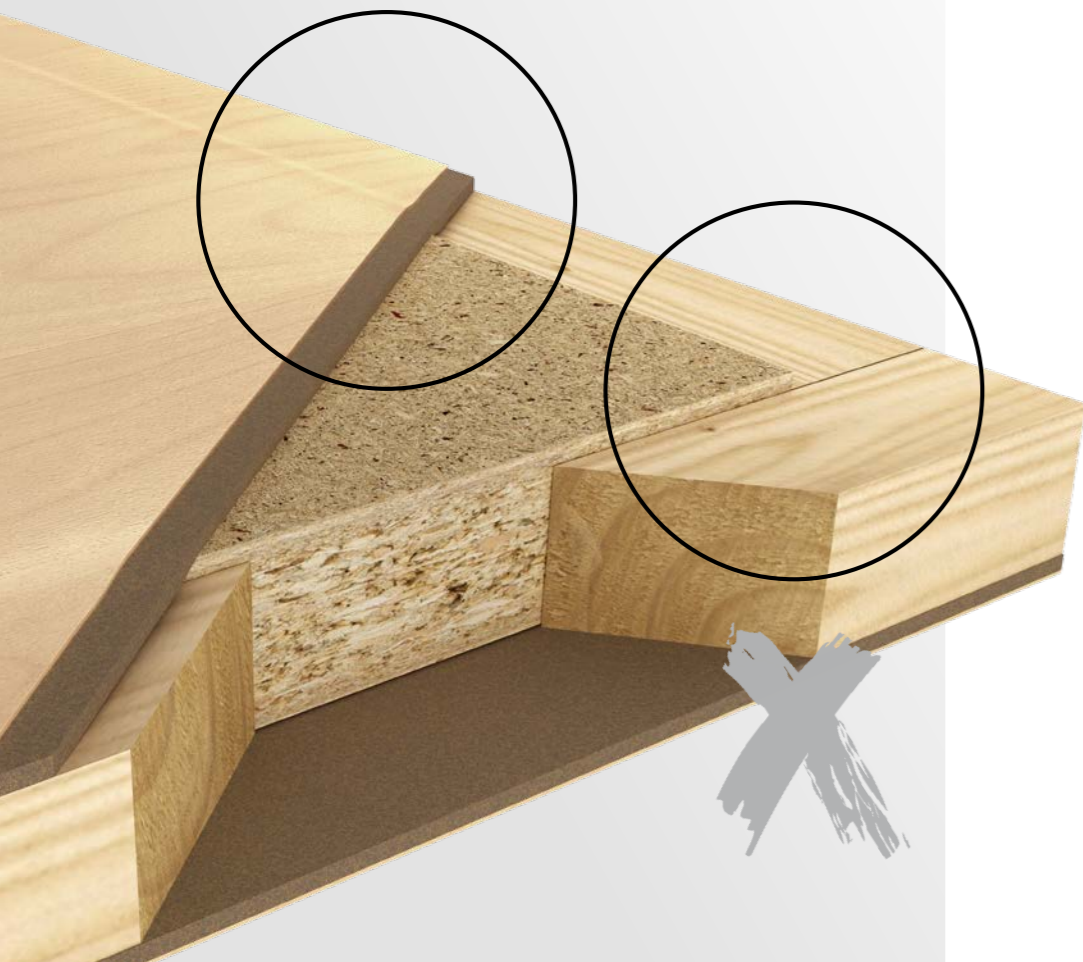


**Sauerland Tubular Board** is the ideal core to prevent doors from bowing. We proved that the bowing effect can be reduced significantly.

# Doors with a perfect surface

## 5. No Telegraphing

**Ordinary Particle Board** always has the tendency to grow in thickness. This leads to telegraphing and thus to an optical defect to the door surface at the medium run.



**Sauerland Tubular Board** is extremely precise in thickness and – even more important – does not grow in thickness during the door's lifetime.



Sauerland  
Guarantee



Thickness precision  
**+/- 0,1 mm**



# Doors reducing sound transmission

## 6. Sound Insulation

### Honeycomb infill

does not form a real obstacle to sound. Quite the contrary: Noise easily passes through. This leads to disturbance in neighbouring rooms.



Sauerland  
Guarantee

Less noise pollution

### Sauerland Tubular Board

performs brilliantly as a sound barrier. This has been proven in independent testing institutes.



Solutions for the better door!



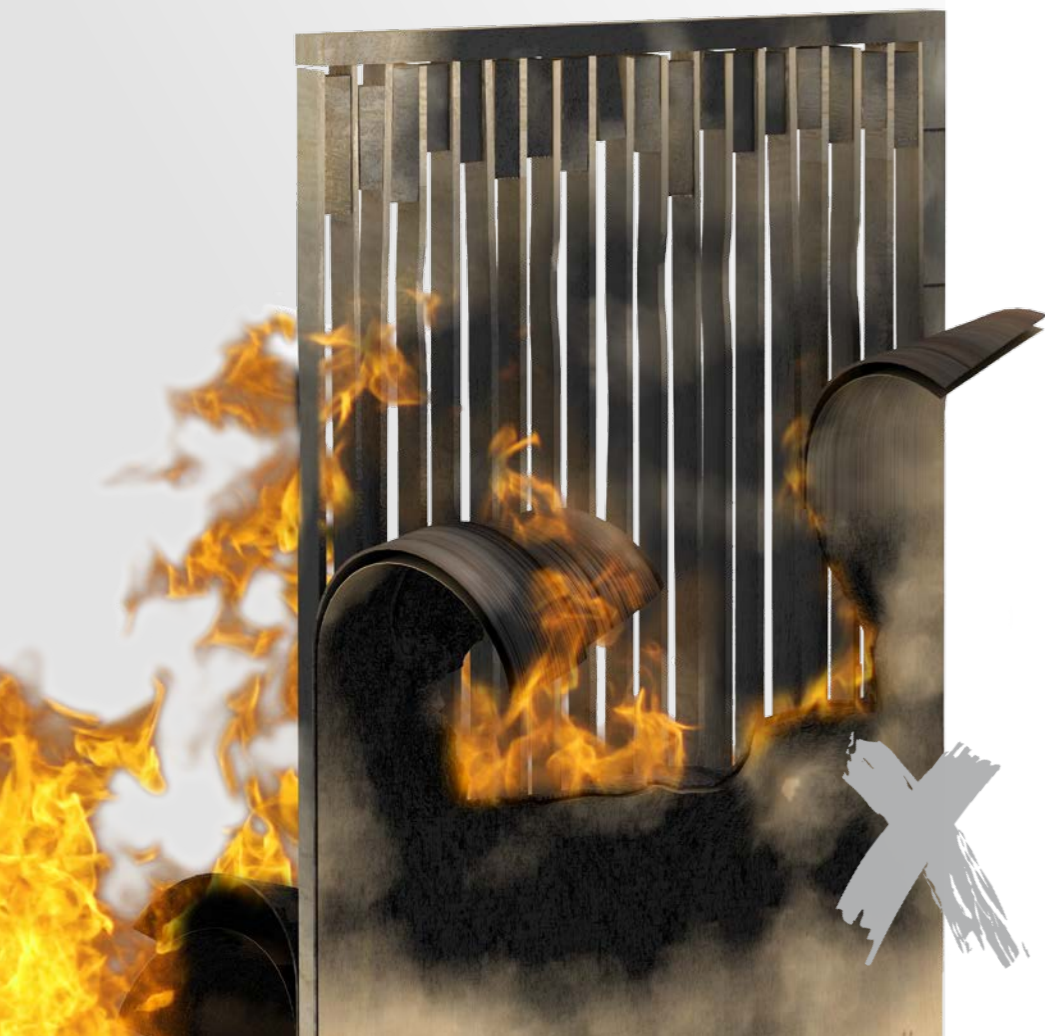
# Doors protecting from fire

## 7. Fire Resistance

### Wooden Strips

Fire is a serious threat especially in big cities. Using conventional doors it will take you only minutes to face a burn through.

The picture shows a **Wooden Strip Infill** after 8 minutes.



**Sauerland Tubular Board** as infill has proven to provide easily 30 minutes fire protection to the door. Up to 60 minutes can be achieved using upgraded types of construction.



Sauerland  
Guarantee  
Fire protection



Solutions for the better door!

## Sauerland Door Concept Sauerland Service

Please compare your actual door construction with the option to apply the **Sauerland Door Concept**.

You will improve quality and performance.  
Please do not hesitate to contact us.

We offer:

### **Personal Visits**

... to discuss individual solutions at site.

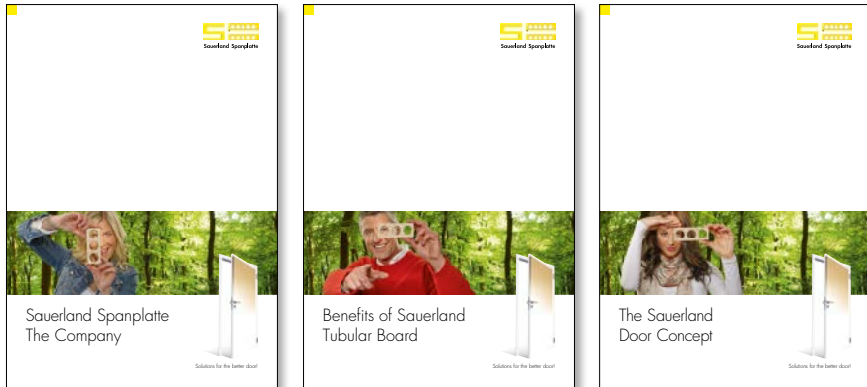
### **Support in Door Construction**

... following your specific requirement.

### **Testing in the Sauerland Lab**

... regarding all technical demands.





Sauerländer Spanplatten  
 GmbH & Co. KG  
 Zur Schefferei  
 59821 Arnsberg  
 Germany  
 Phone +49 2931 876-120  
 export@sauerland-spanplatte.de



[www.sauerland-spanplatte.de](http://www.sauerland-spanplatte.de)